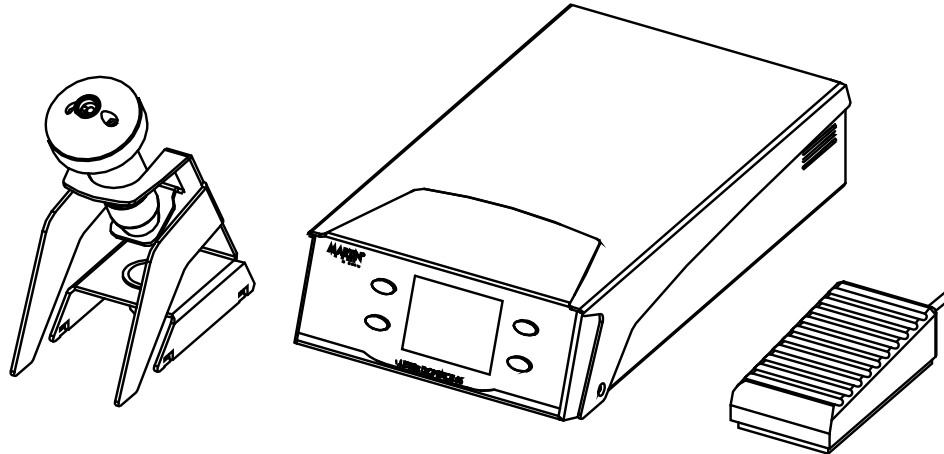


## CLEVER DISPENSE 06 H Set DP

### Manual Dispensing with Heater



#### CD06.0101 CLEVER DISPENSE 06 H Set DP 3

CLEVER DISPENSE 06 H are professional dispensers for applications requiring highest accuracy and maximum control of material viscosity. These dispensing devices allow the heating of the dispensing nozzle and cartridge. The CLEVER DISPENSE 06 H DP Sets were designed for manual dispense operations.

The all-electronic dispensers of which e.g. the dispensing pressure, temperature and retain vacuum are set by program control rely on the proven time-pressure technology. This enables reliable dispense of small dots and lines from liquid to pasty material either as 1K-type or 2K-type. Additionally, a sensor measures the material temperature inside the dispensing pen and the control unit compensates the associated change in viscosity. The dispensing recipes can easily be adjusted to new materials and applications. This offers maximum process control to the user.

Temperature insulating dispensing pens which reduce the heating of the material during manual dispense are available for common sizes. For applications with viscous materials the viscosity can be reduced by means of the optional nozzle heating. Dispensing programs are created and managed by the software CLEVER DISPENSE Pro on the PC. Up to 25 dispensing programs can be stored in the device and executed from there.

#### Standard Equipment

- Control Unit CLEVER DISPENSE 06
- Dispense Pen with integrated temperature sensor (prepared for one cartridge size upon request, no nozzle heater in standard configuration, cable 1.5m long)
- Dispense Pen Stand, Foot Pedal, Needle Set (27pcs), Pneumatic hose (D=6mm; 5m long)
- Power supply 90–230 V AC -> 24V DC
- USB Cable
- CD ROM with PC-Software CLEVER DISPENSE Pro
- Manual

#### Technical Data

Cartridges to use:	3 ccm, 5 ccm, 10 ccm, 30 ccm	
Viscosity Range:	10-10 <sup>5</sup> mPas	
Nozzle Heater:	50°C max.	
Dot Dispense Settings:	Time Range:	0.001 s - 2 s (±0.0005s)
	Pressure Range:	0.2 bar – 7 bar
	Repeatability :	1 % (Pressure Pulse)
	Dot Size:	>100µm / >0,5nl
Line Dispense Settings:	Time Range	0.1 s - 30 s
	Continuous Pressure Control	
	Repeatability:	2% (Pressure Level)
Ext. Communication:	USB 2 (Typ B)	
Media Supply :	24V DC 2A, Air 3-7 bar ISO 8573-1:2010 [7:4:4]	
Weight / Size:	2.5 kg max.	272 x 152 x 60 mm <sup>3</sup>

#### Options

Electronic Vakuüm Control:	-20 mbar – 0 mbar (fill level control)
TCP / IP connectivity:	Optional



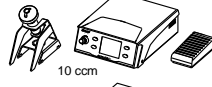


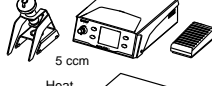
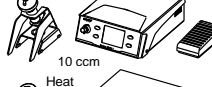

Nozzle Heater:	Optional
----------------	----------

# CLEVER DISPENSE 06 H Set DP Manual Dispensing with Heater

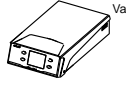
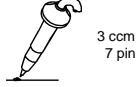



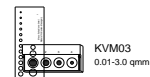
## Basic Unit

CD06.0001	CLEVER DISPENSE 06 H control unit only		1 piece
-----------	--	---	---------

## Complete Set

CD06.0101	CLEVER DISPENSE 06 H Set DP 3 foot switch, pen 3ccm, stand		1 piece
CD06.0102	CLEVER DISPENSE 06 H Set DP 5 foot switch, pen 5ccm, stand		1 piece
CD06.0103	CLEVER DISPENSE 06 H Set DP 10 foot switch, pen 10ccm, stand		1 piece
CD06.0104	CLEVER DISPENSE 06 H Set DP 30 foot switch, pen 30ccm, stand		1 piece
CD06.0201	CLEVER DISPENSE 06 H Set DPH 3 foot switch, pen 3ccm with heating, stand		1 piece
CD06.0202	CLEVER DISPENSE 06 H Set DPH 5 foot switch, pen 5ccm with heating, stand		1 piece
CD06.0203	CLEVER DISPENSE 06 H Set DPH 10 foot switch, pen 10ccm with heating, stand		1 piece
CD06.0204	CLEVER DISPENSE 06 H Set DPH 30 foot switch, pen 30ccm with heating, stand		1 piece

## Optional Extras

CD06.0050	Vacuum module CD06 for thin fluids		1 piece
PD80.1011	Dispensing pen 3ccm for CD06/SD06 with 7 pin plug Dispensing pens are also for cartridge size 5ccm, 10ccm, 30ccm and 55ccm on stock available		1 piece
PD60.1011	Dispensing pen 3ccm with heating for CD06/SD06, 7 pin plug Dispensing pens with heating are also for cartridge size 5ccm, 10ccm, 30ccm and 55ccm on stock available		1 piece
PD10.0012	Stand for dispensing pen for 3 & 5 ccm cartridges CD06/SD06 Stand for dispensing pens are also for cartridge size 5ccm, 10ccm, 30ccm and 55ccm on stock available		1 piece
CD06.0080	Network Capability CD06 TCP/IP interface with SW		1 piece
HT00.0002	Adhesive Volume Meter KVM 03 measuring range 0,01-3,0cmm		1 piece

Further units and consumables under [www.martin-smt.de](http://www.martin-smt.de)