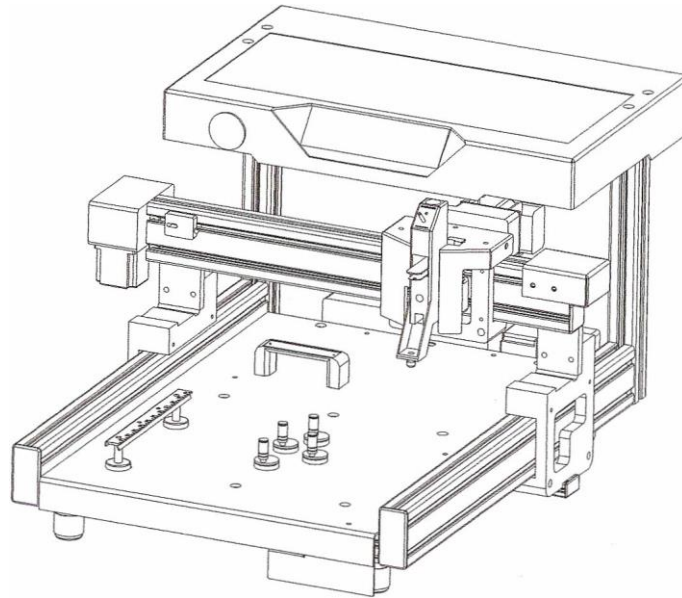


DOTLINER 06.5



PD00.0066 DOTLINER 06.5

Automatic Dispenser with Advanced Time Pressure Technology, heated dispensing head mounted on CCD axes system, high-resolution colour zoom camera with USB adapter and Easy Dispense Pro software package. With the corresponding Starter Kit the DOTLINER system can be used straight away.

This equipment is especially suitable for dispensing tasks involving filled media, such as solder paste in rework and high precision dispensing of adhesives, oils and low viscosity fluids in small scale production including the application of solder onto QFNs.

Standard Equipment

- Control unit with 5ccm dispensing head
- Motorized XY gantry
- Colour-zoom-camera
- 4x PCB magnet holders 40.5mm (standard)
- PCS magnet holder rail 40.5mm
- Test point and standby platform
- Manual

Technical Data

Max. PCB size:	400 - 300 mm ²
Travel:	325 x 260 mm
Travel Speed:	1 – 9000 mm/min
Resolution of Axes:	0.013 mm
Dot Volume:	0.0005 – 5.0 mm ³
Dot Diameter:	≥ 0,1 mm
Line Pressure:	0.1 – 5.0 bar
Syringe Heating:	20 - 50 °C
Temperature Compensation:	0 - 50 °C
Full Level Compensation:	self learning
Mains:	230 VAC / 140 VA
Pressurized Air:	5.5 - 8 bar / water and oil free
Footprint:	700 x 600 mm ²

DOTLINER 06.5

Optional Extras

PD50.0002	Starter Kit Dot Liner for solder paste applications	
PD50.0003	Starter Kit Dot Liner for adhesive applications	
HV00.0013	Cam Designer professional for Dot Liner, DVD, manual	
CD00.0110	Auto Vacuum Module for thin fluids	
DK00.0053	Dispensing Head HS 10ccm with heating, for automation	
DK00.0054	Dispensing Head HS 30ccm with heating, for automation	
DK00.0030	High Sensor for Dispensing Head HS dispensing w/o spacer, incl. spacer "0.0"	
DK02.0002	Cooling Module 5ccm for DL / CD, 10 °C cooling power	
DK02.0003	Cooling Module 10ccm for DL / CD, 10 °C cooling power	
HT00.0002	Adhesive Volume Meter KVM-03 measuring range 0.01-3,0 ccm	
HT00.8013	Metal Dispensing Nozzle 0.16 mm AH for paste 6, Pitch 0.4 - 0.8	
HT00.8010	Metal Dispensing Nozzle 0.2mm AH for paste 5, Pitch 0.5 - 1.0	
VD90.0039	Dispensing Needles/Nozzles set 10 pieces each 18 types, box	
HT00.9010	Spacer 0.10 mm for nozzle 0.2 mm	
HT00.9009	Spacer "0.0" for metal nozzles (from 0.16mm)	
HT00.9023	Spacer Pliers Lines Type A for needles 1.6 - 2.2mm, 1 ring	
HT00.8009	Micro Disp. Nozzle 0.17mm / 0.08 for paste 6, pitch 0.4 - 0.8 mm	
HT00.8004	Micro Disp. Nozzle 0.17mm / 0.0 HS w/o DH, for paste 6, pitch 0.4 - 0.8 mm	

Further units and consumables under www.martin-smt.de